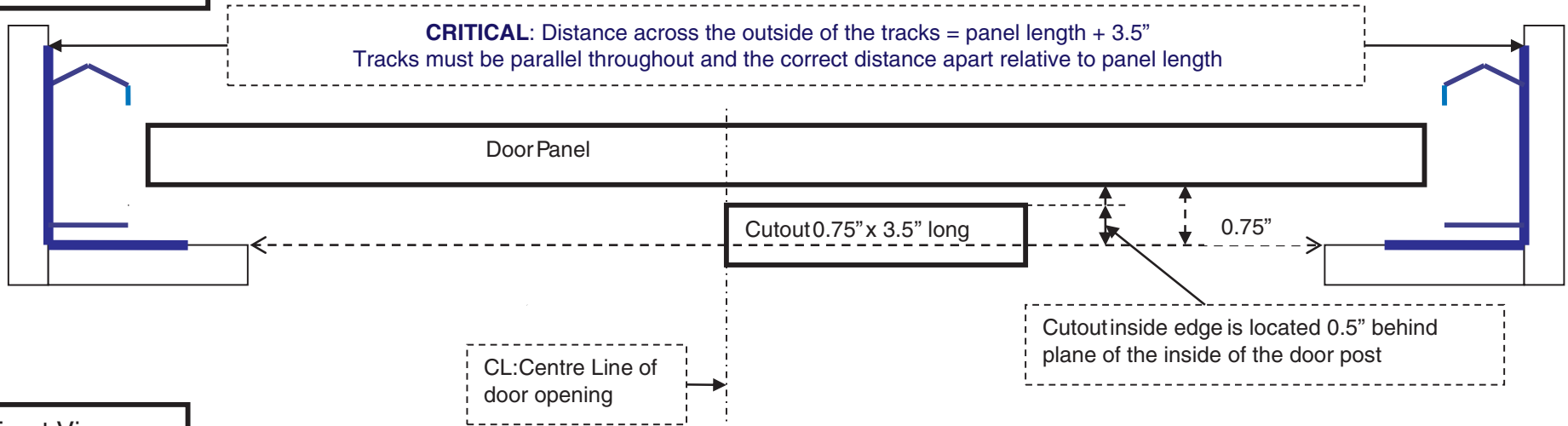
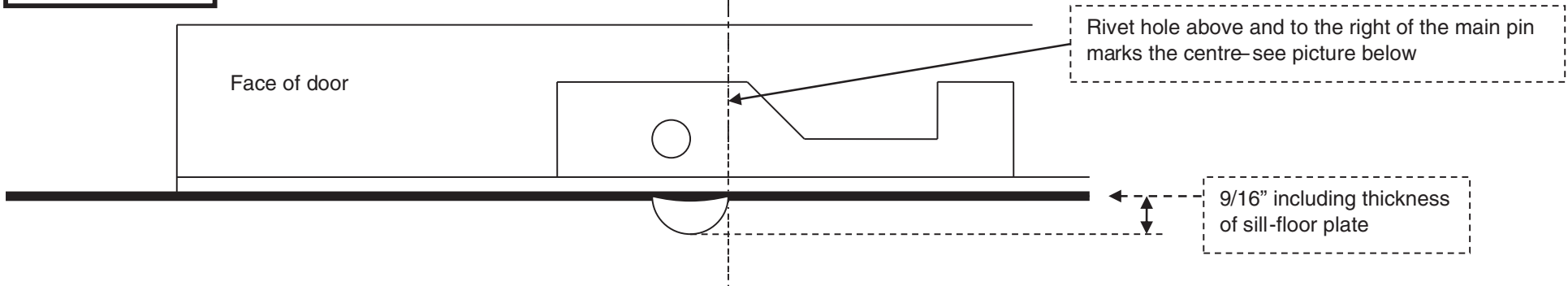


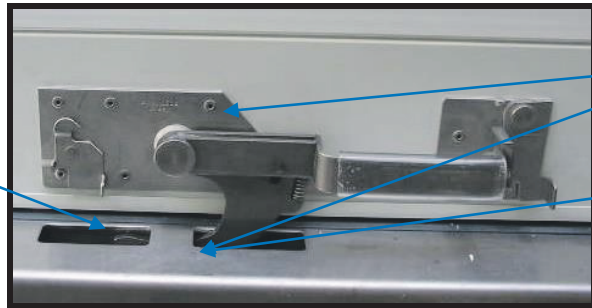
**Top View**



**Front View**



The slot on the left is not necessary with the MCLAREN DOORS stainless steel latch  
Slot is 1/4" from face of door panel per instructions above



Edge of the cut out at the centre line of the opening (aligned with the rivet marking the centre point of latch)

Round rod or half moon under the cut out flush to the edge. Total depth of floor sill and round rod = 9/16"