

1" Bottom panel resizing instructions

Material List

- 1" Bottom panel 96"Lg
- U-bolts and Brackets x 2 (Wrapped in pull strap)
- Bottom seal (Attached)
- Pull handle (Attached)
- Pull Strap (Attached)
- latch (With 50-003 and 50-004 models only)

Tools Requirement

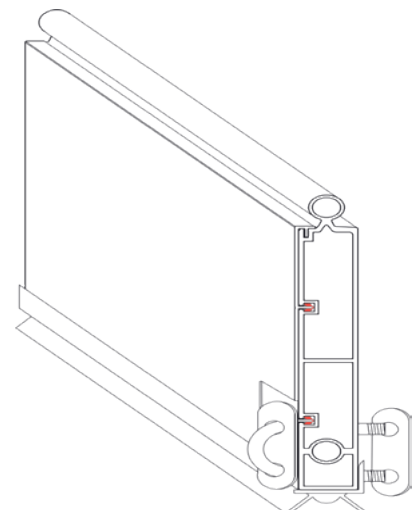
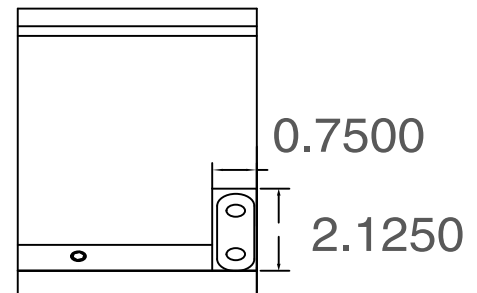
- Pencil x 1
- Chop saw
- Power Drill with ¼" drill bit
- Dremel or Exacto Knife.
- Rivet gun

Instructions

1. Measure the width of the panel you need to replace.
Note: Panel must be cut evenly from both side.
2. Remove the cables using the 7/16" socket and remove the latch using the ¼" drill bit.
3. Cut the replacement panel to match the damaged panel width.
4. Mark and cut out the outside bottom corners of the PVC portion of the panel to allow for the bracket as shown below:

Tip: The measurement should be 0.75" wide and 2.125" high if measuring from the lowest PVC point (not including the flexible seal). For the newer bottom panels, You will also need to cut through the center rib to remove the PVC from the face of the panel.

5. Remove the U-bolts and plates that are wrapped in the pull strap.
6. Mark the holes for the U-bolt using the U-bolt plate as a jig.
7. Drill through the panel using the ¼" drill bit
8. Re-attach the cables and U-bolts. (Shown above)
9. Re-install the bottom panel on to the door and put the door back into the tracks. Note: To download a copy of the McLaren door installation instructions visit us online at www.mclarendoors.com. The instructions are located under the SUPPORT tab.
10. Once you have re-installed the door, put the door in the closed position and place the latch on to the bottom panel.
11. Engage the latch into the door sill to determine the required latch location.
12. Mark the holes and drill out using the ¼" drill bit.
13. Reattach the latch using ¼" SS pop rivets (for SS latch, or .75" for cast latch)



HAVING TROUBLE?

For any technical support questions please contact www.mclarendoors.com or call us toll free at (877)-263-9153. For afterhours support please contact (416)316-6036.